

Lock N Load Differences: Gen 1 • Gen 2 • Gen 3

Impact and Instinct

There are three generations of angled Lock N Load (LNL) cartridges and two vertical style LNL cartridges (Fig. 1 & Fig. 3).

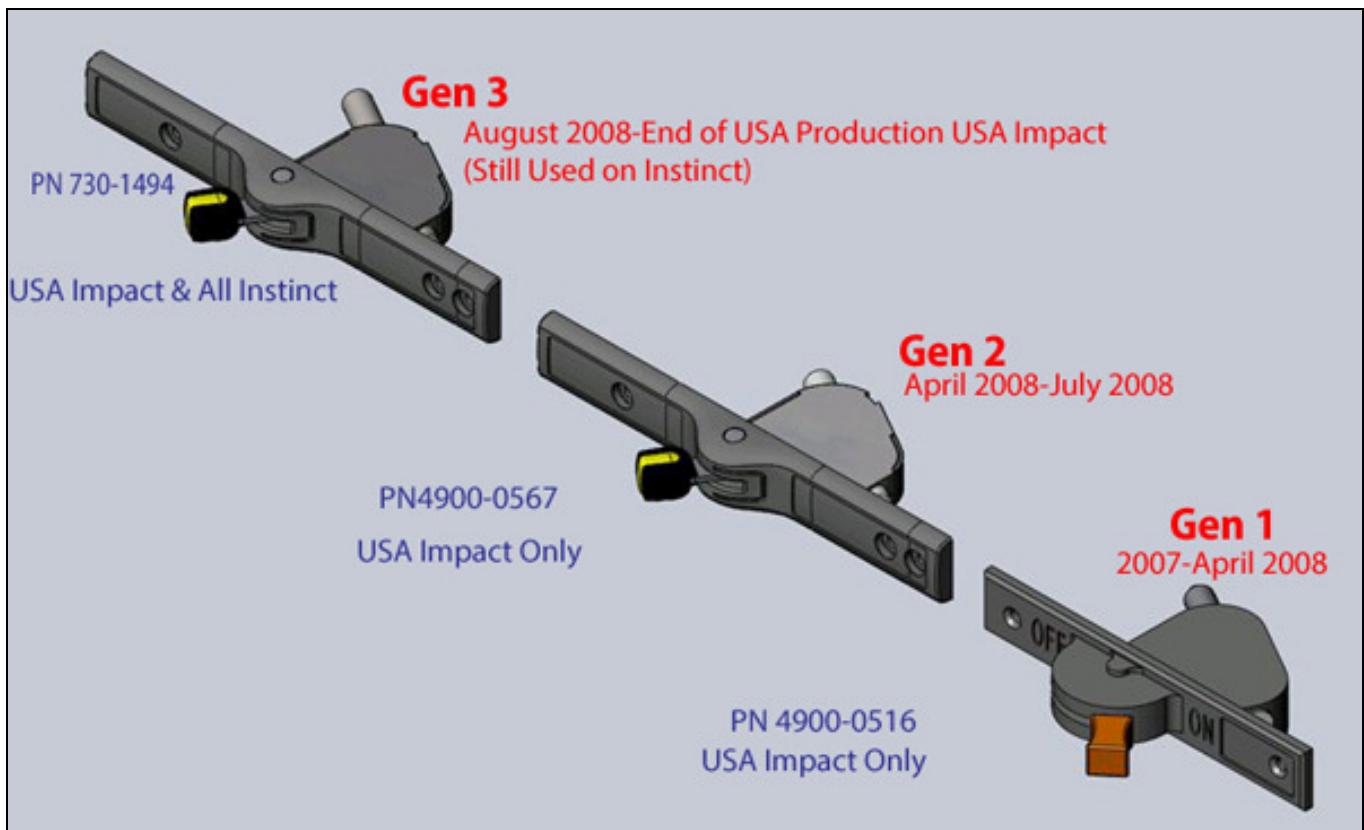


Fig. 1

1. Gen 1 LNL shown on Fig. 1 was manufactured in April 2007 and was changed in April 2008. This model was only used on the STS Impact models.
2. Gen 2 LNL shown on Fig. 2 was manufactured in April 2008 and was used until July 2008. This model was only used for USA Impact products only.

3. Gen 3 LNL shown on Fig. 2 was manufactured in August 2008. It is currently being used on USA Impact and all Instinct units.
4. The major difference of a Gen 3 LNL cartridge when compared to the previous Gen 1 or Gen 2 cartridge is a longer pin as shown in Fig. 2. The longer pin found in the Gen 3 cartridge prevents backwards capabilities if trying to replace a Gen 1 or Gen 2 cartridge.

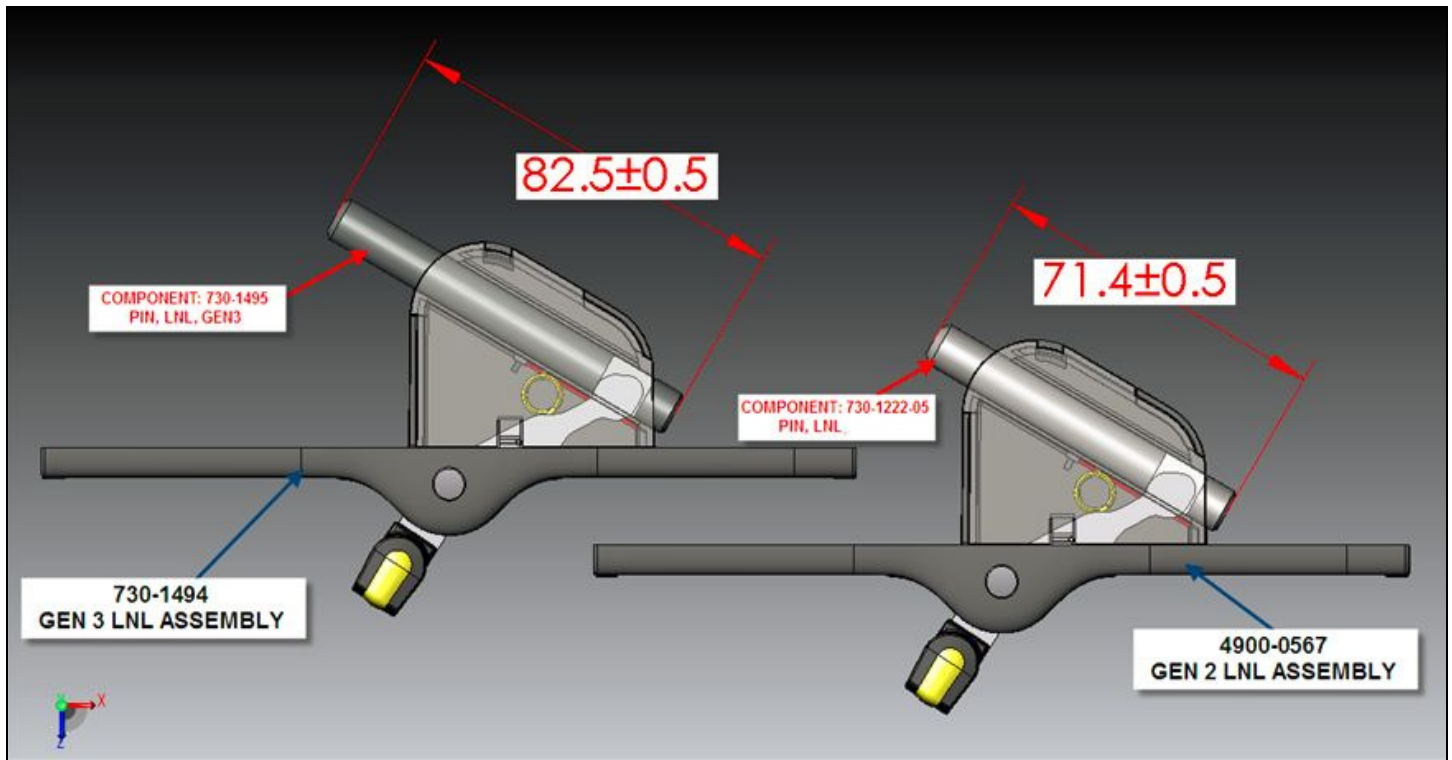


Fig. 2

5. Current strength products equipped with add-on weight features use two vertical LNL cartridges in each weight stack. Both are shown in Fig. 3.

If the add-on weight feature is present, a quantity 1 of a long top plate/add-on LNL cartridge is used along with a varying quantity of regular LNL cartridges.

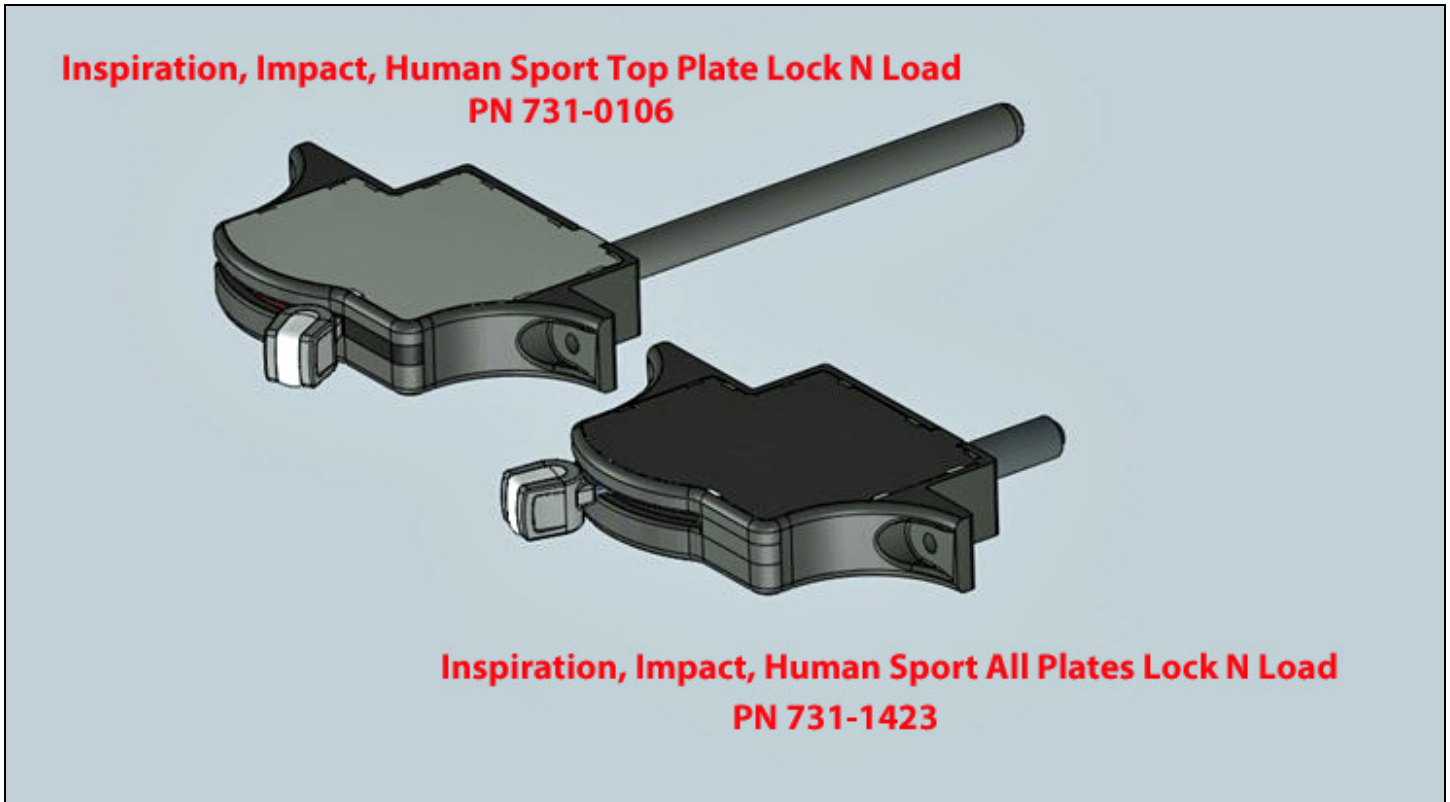


Fig. 3